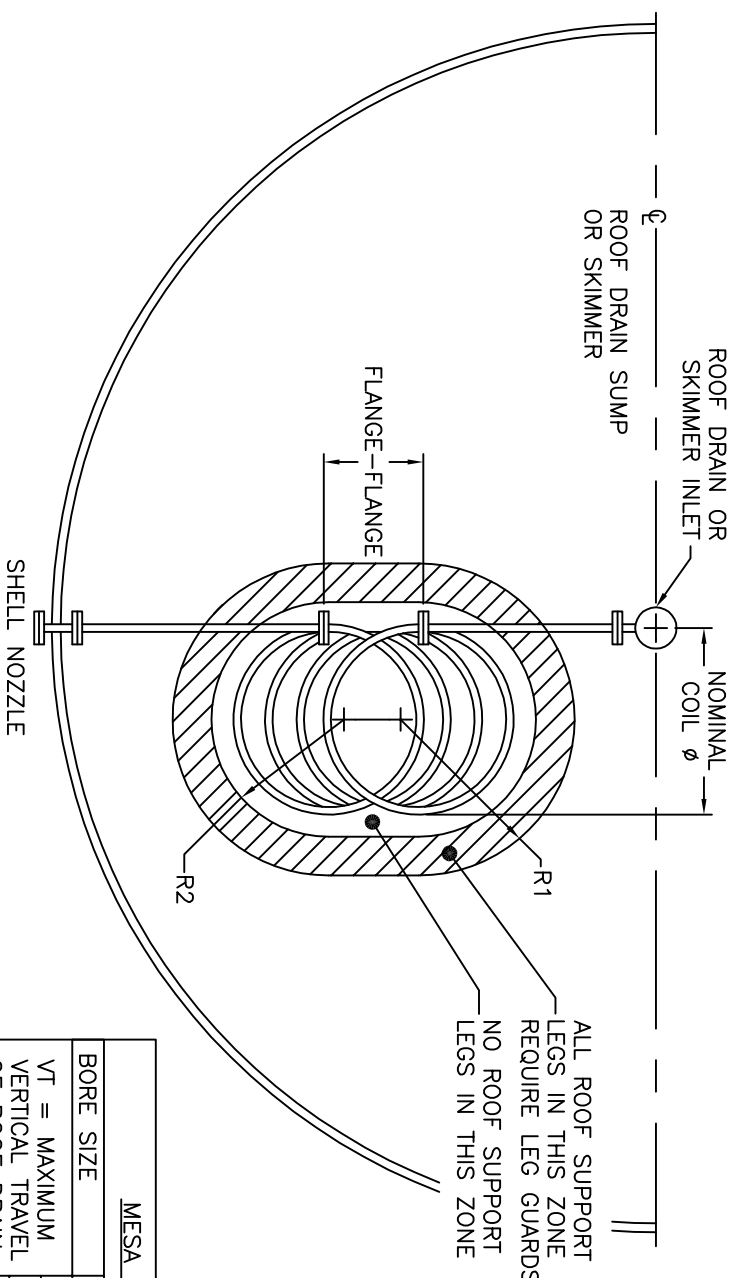


REVISIONS			DATE	APPROVED
NO.	DESCRIPTION			
A	ADDED 6"		11/6/02	



MESA RESIST-ALL-CLAD NUMBER OF COILS REQUIRED																
BORE SIZE	2"			3"			4"			6"						
	VT	COILS	VT	COILS	VT	COILS	VT	COILS	VT	COILS	VT	COILS				
VT = MAXIMUM VERTICAL TRAVEL OF ROOF DRAIN SUMP OR SKIMMER INTAKE	8'-16'	2	14'-25'	2	20'-35'	2	0'-24'	1	17'-24'	3	26'-37'	3	36'-49'	3	25'-48'	2
	25'-32'	4	38'-49'	4	50'-61'	4	49'-72'	3	33'-40'	5	50'-62'	5	62'-73'	5		
	41'-48'	6			74'-85'	6										
BORE SIZE	2"			3"			4"			6"						
No. COILS	3	4	5	6	2	3	4	5	2	3	4	5	1	2	3	
Nom. COIL Ø	72	72	72	72	96	96	96	96	120	120	120	120	180	180	180	
Horiz. FLANGE-FLANGE	27	36	45	54	24	36	48	60	24	36	48	60	0	18	36	
R1	84	84	84	84	96	96	96	96	120	120	120	120	156	156	156	
R2	60	60	60	60	72	72	72	72	84	84	84	84	125	125	125	

NOTE: ALL DIMENSIONS ARE IN INCHES

TOLERANCES NOT SHOWN	
FRACTIONAL DIM'S UP TO 48"	+/- 1/16"
FRACTIONAL DIM'S OVER 48"	+/- 1/8"
DECIMAL DIM'S:	.0 +/- .030"
	.00 +/- .015"
	.000 +/- .005"
ANGLES +/- 1/2 DEGREE	
NEXT ASSY:	

THIS DRAWING AND THE INFORMATION THEREON ARE THE PROPERTY OF MESA INDUSTRIES INC. AND ARE NOT TO BE USED IN ANY WAY DETRIMENTAL TO THE INTEREST OF MESA INDUSTRIES INC.

MESA INDUSTRIES, INC.

4141 AIRPORT RD.
CINCINNATI, OHIO 45226
PHONE: (513) 321-2950

1726 S. MAGNOLIA AVE.
MONROVIA, CA 91016
PHONE: (626) 359-9361



ITEM	PART NO.	DESCRIPTION	QTY
DRAWN			
HENSLEY	10/99	APPROVED	SHEET 1 OF 1
PART NAME		SCALE	PART NUMBER
		NONE	
GENERIC SPACE REQUIREMENT			REVISION
			MD-1140
			A